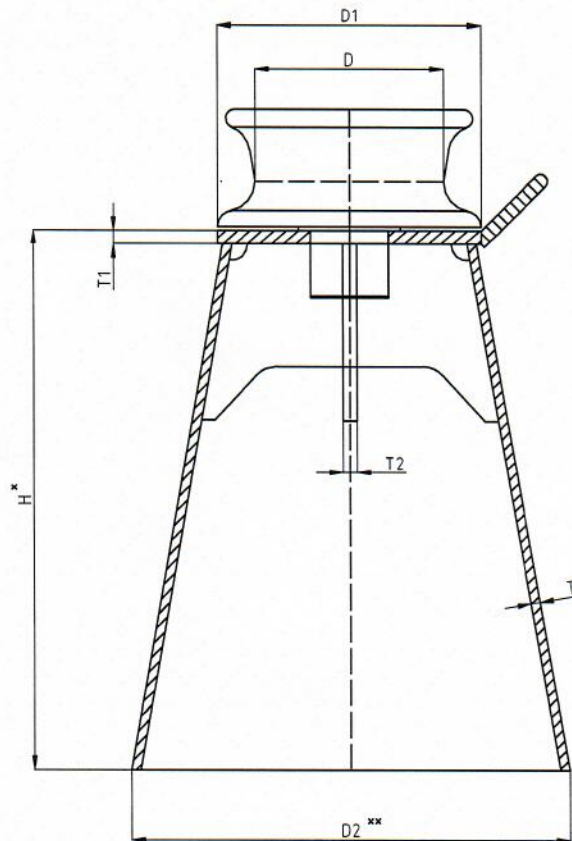


PEDESTAL ROLLERS ISO13776:2012



*Height is to be determined in accordance with actual mooring rope height through the pedestal fairlead.

**diameter D2 is to be calculated depending on the height of the pedestal, H [$D2=D1+2x(H-T1) \times \tan 10^\circ$]

Nominal Size D	D1	T	T1	T2	SWL (T)		Calculated weight (kg)		
					$\theta=90^\circ$	$\theta=0^\circ$	H=500	H=1000	H=1500
150	230	10	16	16	27	19	55	115	198
200	300	12	20	20	45	32	86	169	278
250	370	12,5	22	22	59	42	113	210	335
300	430	13	24	24	74	52	145	256	395
350	490	17	26	26	106	75	201	358	552
400	560	18	28	28	127	90	255	436	657
450	620	20	30	30	163	115	314	530	791
500	680	22	32	34	198	140	383	636	938

Dimensions in mm, alterations may occur



Lemans Nederland B.V.
Canadaweg 8
4661 PZ Halsteren
The Netherlands

Tel.: +31(0) 164 680097
Fax: +31(0) 164 681971
E-mail: info@lemans-nederland.eu
Website: www.lemans-nederland.nl